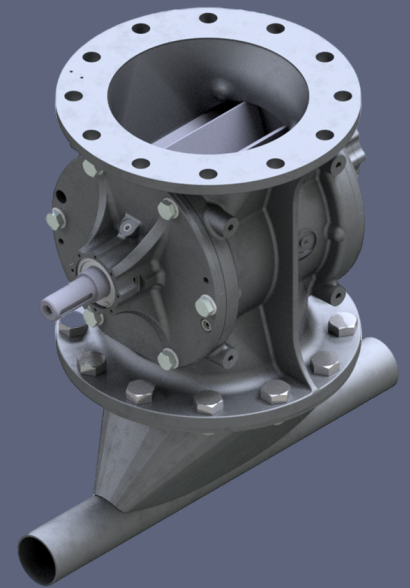
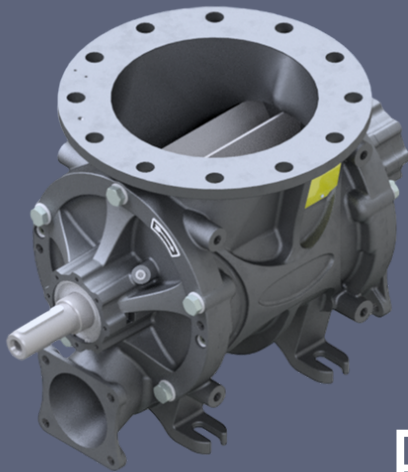


Which **rotary valve** is right for you?



ZXD vs ZRD
Rotary Valve
TOP BENEFITS

BLOW-THROUGH

DROP-THROUGH

» Higher throughput rates compared to equivalent size



» Replaceable pick-up adapter in case of damage or wear

» Higher material capacity and feed efficiency for powders and granular materials sized less than 1mm



» Less leakage gas across equivalent size

» Lower stack-up height



» Less expensive overall

»» Optimal pocket cleanout



»» Easier endplate bearing and seal access for quick cleanouts

»» Highest filling efficiency independent of speed and pressure



»» Lowest possible pressure-drop at pick-up shoe



Coperion is the market and technology leader in extrusion and compounding systems, feeding systems and bulk material handling plants.

For more information please visit www.coperion.com or contact info@coperion.com

 Coperion

 coperion_com

 PR Coperion